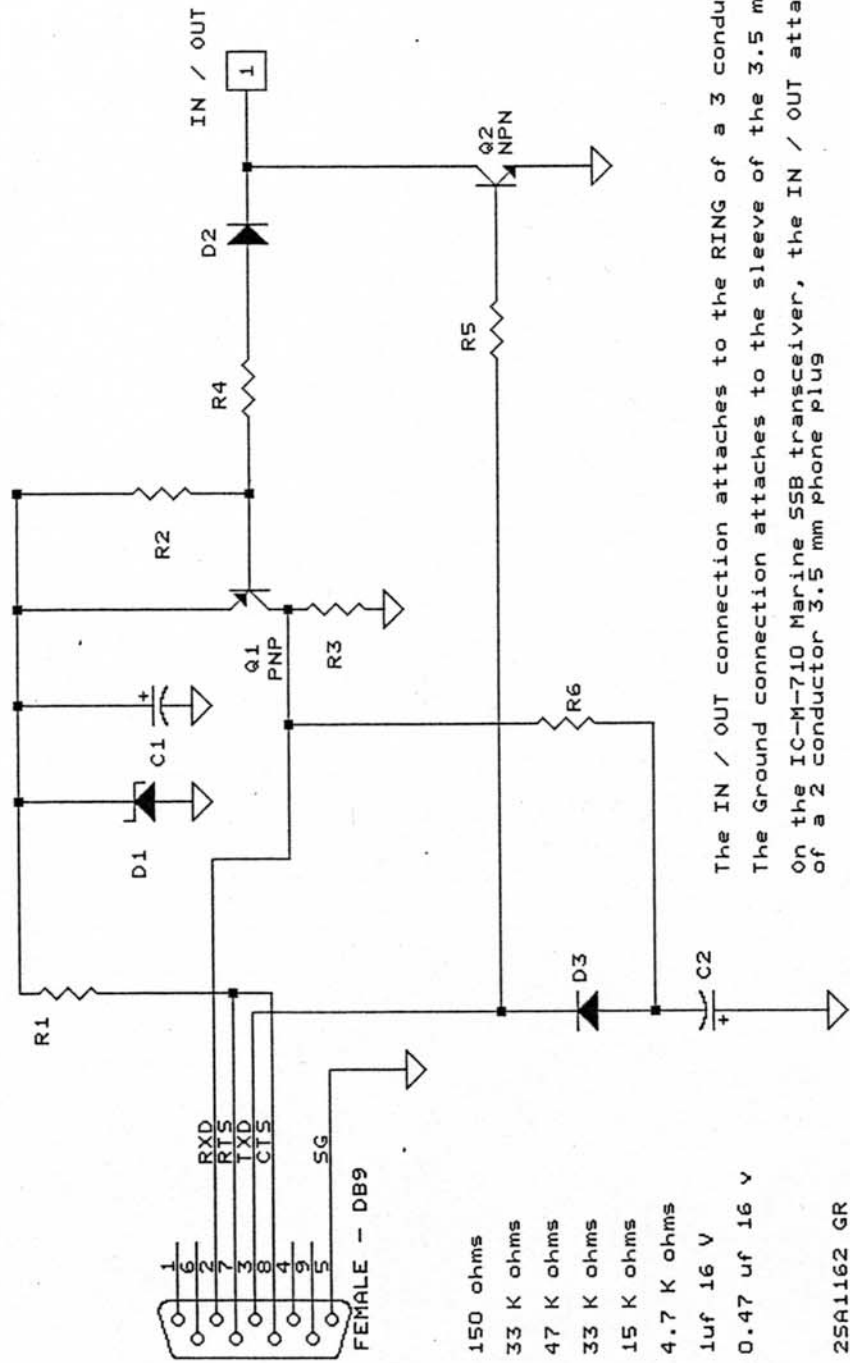


OPC-478 Cloning Cable Schematic



- R1 = 150 ohms
- R2 = 33 K ohms
- R3 = 47 K ohms
- R4 = 33 K ohms
- R5 = 15 K ohms
- R6 = 4.7 K ohms
- C1 = 1uf 16 V
- C2 = 0.47 uf 16 v

- Q1 = 25A1162 GR
- Q2 = 25C3324 GR
- D1 = 5.1 volt Zener 1/2 watt
- D2 = MA110
- D3 = 15S133

The IN / OUT connection attaches to the RING of a 3 conductor 3.5 mm phone plug
 The Ground connection attaches to the sleeve of the 3.5 mm phone plug
 On the IC-M-710 Marine 5SB transceiver, the IN / OUT attaches to the TIP of a 2 conductor 3.5 mm phone plug

ICOM America, Inc 2380 116TH Ave. N. E. Bellevue, WA 98004	
Title OPC-478 Cloning Cable	
Size Document Number A 1	REV 1
Date: March 25, 1997	Sheet 1 of 1